

Eaton SN224-11{ }4WOZN

Catalog Number: SN224-11/4WOZN

Eaton B-Line series springless stud nut, 0.85" H x 1.25" L x 1.31" W, Steel, Electro-plated, 3/8"-16 bolt size, Stud nut without spring

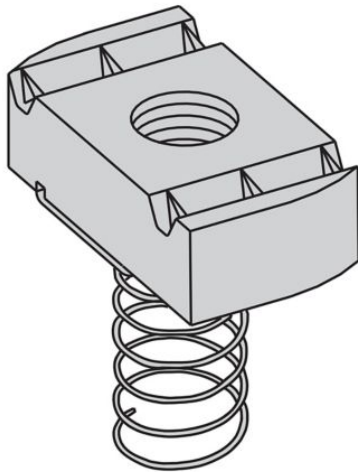


Photo is representative

General specifications

Product Name	Catalog Number
Eaton B-Line series springless stud nut	SN224-11/4WOZN
UPC	Product Length/Depth
781011414214	1.25 in
Product Height	Product Width
0.85 in	1.31 in
Product Weight	Certifications
0.082 lb	Not Applicable

Model

Bolt/thread/rod size

3/8"-16

Type

Stud nut without spring

Material/finish

Finish

Electro-plated

Material

Steel

Resources

Catalogs

[Channel Nuts and Hardware Catalog Section](#)

[B-Line Safety Gratings Full Catalog](#)

[B-Line Series Strut Systems Catalog](#)

Specifications and datasheets

[Eaton Specification Sheet - SN224-11/4WOZN](#)



Eaton Corporation plc
Eaton House
30 Pembroke Road
Dublin 4, Ireland
Eaton.com

© 2024 Eaton. All Rights Reserved.

Eaton is a registered trademark.

All other trademarks are property of their respective owners.



[Eaton.com/socialmedia](https://www.eaton.com/socialmedia)